

ADDENDUM NO.1

October 5, 2020

CONTRACT 220 – WATER SYSTEM IMPROVEMENTS

for

**Consolidated Utility District
Rutherford County, TENNESSEE**

Bid Date: October 22, 2020

Bid Time: 11:00 A.M. CDST

Bid Location: Consolidated Utility District, 709 New Salem Highway, Murfreesboro
Tennessee 37129

Bid Form: *Replace Page BP 220-7 of 8 with attached BP 220 – 7 of 8*

Specification: *Replace Page TSW 10-8 with attached TSW 10-8*

Plans: Replace Sheet 9 with attached Sheet 9

James C. Hailey & Co.
Consulting Engineers
1619 Galleria Blvd.
Brentwood, TN 37027
(615) 883-4933 (615) 833-4937 (FAX)

BID SCHEDULE – CONSOLIDATED UTILITY DISTRICT
CONTRACT 220 – WATER SYSTEM IMPROVEMENTS

ITEM NO.	QUANTITY & UNITS	DESCRIPTION	UNIT PRICES		TOTAL AMOUNT
			WORDS	FIGURES	
15	30 VF	FURNISH & INSTALL CONCRETE VALVE BOXES			
16	1 EA	FURNISH & INSTALL HIGH SECURITY FIRE HYDRANT ASSEMBLY			
17	2 VF	FURNISH & INSTALL FIRE HYDRANT BARREL EXTENSION			
18	5 EA	FURNISH & INSTALL 1" TYPE "A" SERVICE CONNECTIONS			
19	2 EA	FURNISH & INSTALL 1" BY-PASS METER INSTALLATION			
20	50 CY	FURNISH & INSTALL CLASS "B" CONCRETE			
21	200 TN	FURNISH & INSTALL CRUSHED STONE			
22	1,000 LB	FURNISH & INSTALL D.I.M.J. FITTINGS			
23	10 SY	FURNISH & INSTALL 2" TDOT 411 "E" MIX PAVEMENT REPLACEMENT			
24	10 SY	FURNISH & INSTALL 8" TDOT 307 "B" MODIFIED BINDER			
25	20 EA	FURNISH & INSTALL 6" MEGALUG RESTRAINED JOINT			
26	4 EA	FURNISH & INSTALL 4" MEGALUG RESTRAINED JOINT			
27	4 EA	FURNISH & INSTALL 2 AIR RELEASE VALVE ASSEMBLY			
28	2 EA	FURNISH & INSTALL REVERSE KICKER			
29	6,300 LF	MAIN LINE CLEAN-UP	SIX AND NO/100	6.00	37,800.00
30	1 LS	REMOVE CONCRETE VAULT AND CONTENTS, REMOVE POWER POLE & ELECTRICAL; INSTALL 50 L.F. 20" PC 350 DUCTILE IRON WATER LINE & 2- 20" M.J. LONG SLEEVES AS PER SHEET 6			
31	1 LS	INSTALL OVERFLOW ON BAKER ROAD WATER STORAGE TANK AS PER SHEET 9			
32	1 LS	BAKER ROAD WATER STORAGE TANK VALVE VAULT MODIFICATIONS AS PER SHEET 9 OF PROJECT PLANS			
		TOTAL BID			\$

BP 220 – 7 of 8

10.21 LUMP SUM BID ITEM NO. 31 – Baker Rd. Water Tank Overflow Modifications

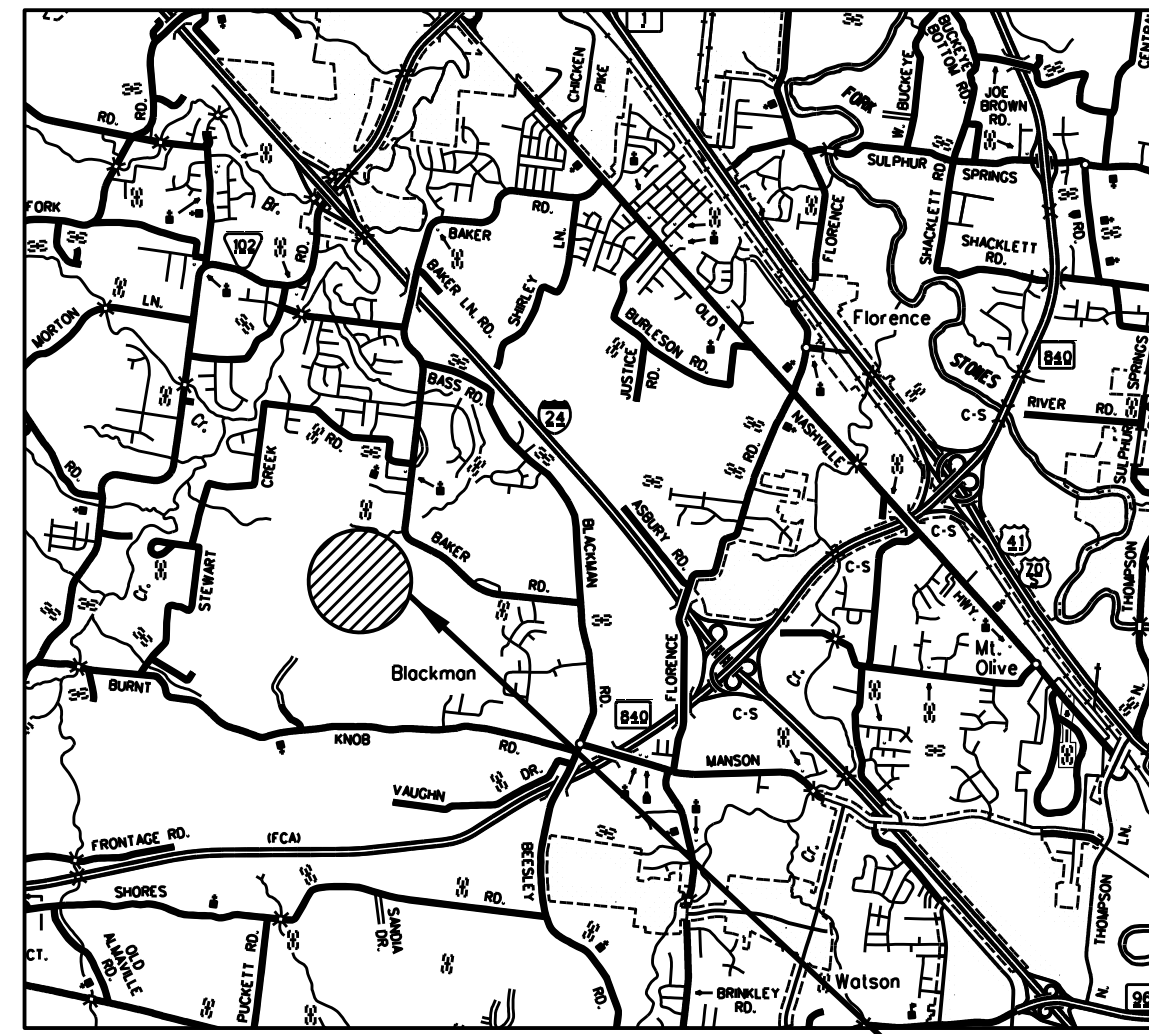
10.21.1 Measurement– This is a Lump Sum Bid Item thus no measurement will be made.

10.21.2 Payment – Payment for Bid Item No.31 – Baker Road Water Storage Tank Overflow Modifications (Sheet 9 of Plans) shall be made on the basis of the Lump Sum price bid and shall constitute full compensation for development of work plan, site preparation, environmental protection, all materials, equipment, pipe assembly, tools, supplies, grading, set-up, all excavating, seeding, site restoration, including and all other requirements of the project plans and these specification and contact documents, and incidentals necessary to complete this item..

10.22 LUMP SUM BID ITEM NO. 32 – Baker Rd. Water Tank Valve Vault Modifications

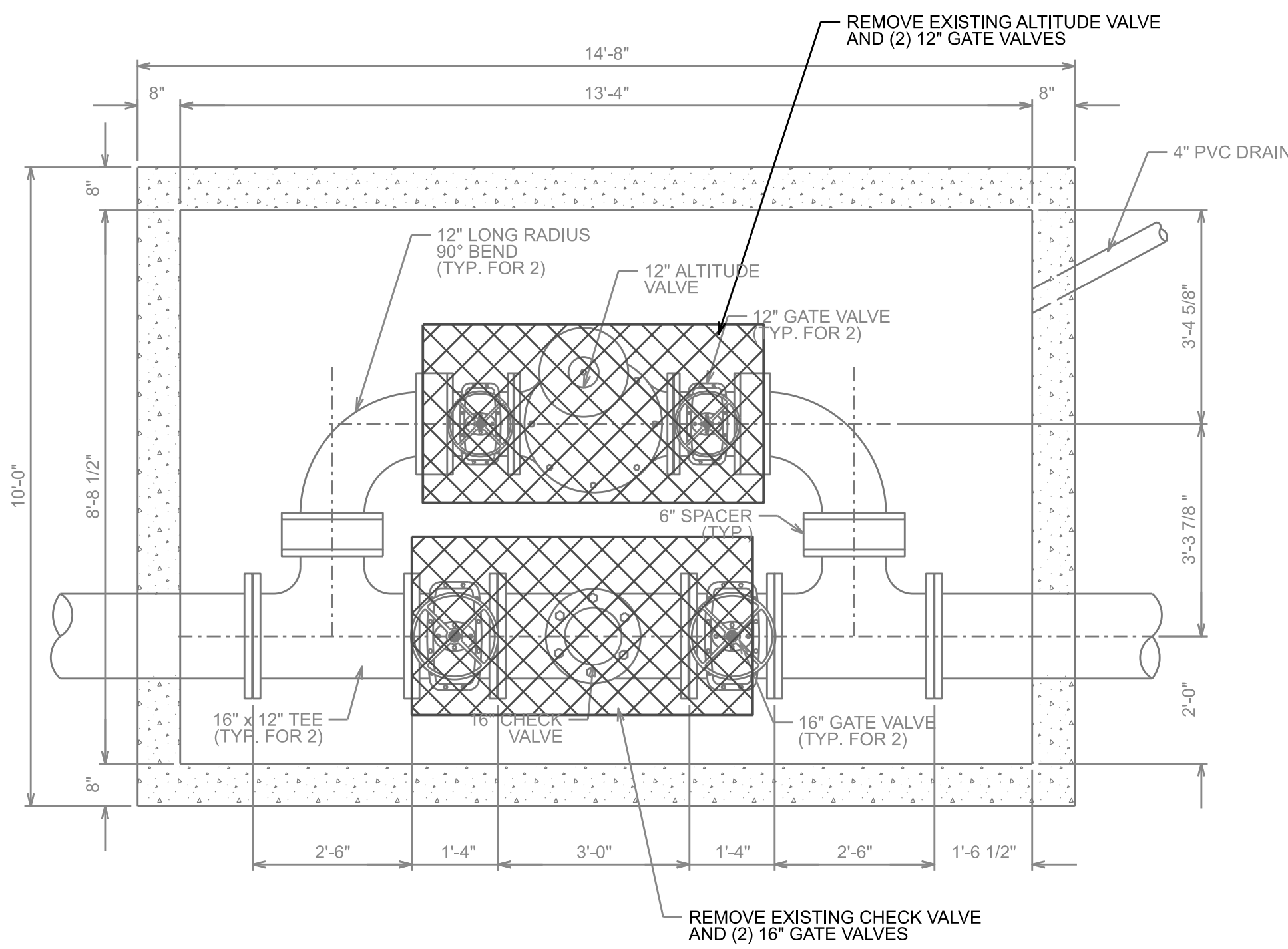
10.22.1 Measurement– This is a Lump Sum Bid Item thus no measurement will be made.

10.22.2 Payment – Payment for Bid Item No.32 – Baker Road Water Storage Tank Valve Vault Modifications (Sheet 9 of Plans) shall be made on the basis of the Lump Sum price bid and shall constitute full compensation for development of work plan, site preparation, environmental protection, all materials, equipment, pipe assembly, tools, supplies, grading, set-up, all excavating, seeding, site restoration, including removal of the six (6) valves with the vault, furnishing & installing two (2) 12” gates valves, two (2) 16” gate valves, a 12” altitude valve, a 16” check valve, removal of existing access hatch, increase opening to accommodate new hatch, furnish and install new 60” X 90” hatch, furnish and install aluminum ladder, sandblast to SPCC 10 all piping, apply two (2) coatings of paint on all piping, valves and fittings and all other requirements of the project plans and these specification and contact documents, and incidentals necessary to complete this item..

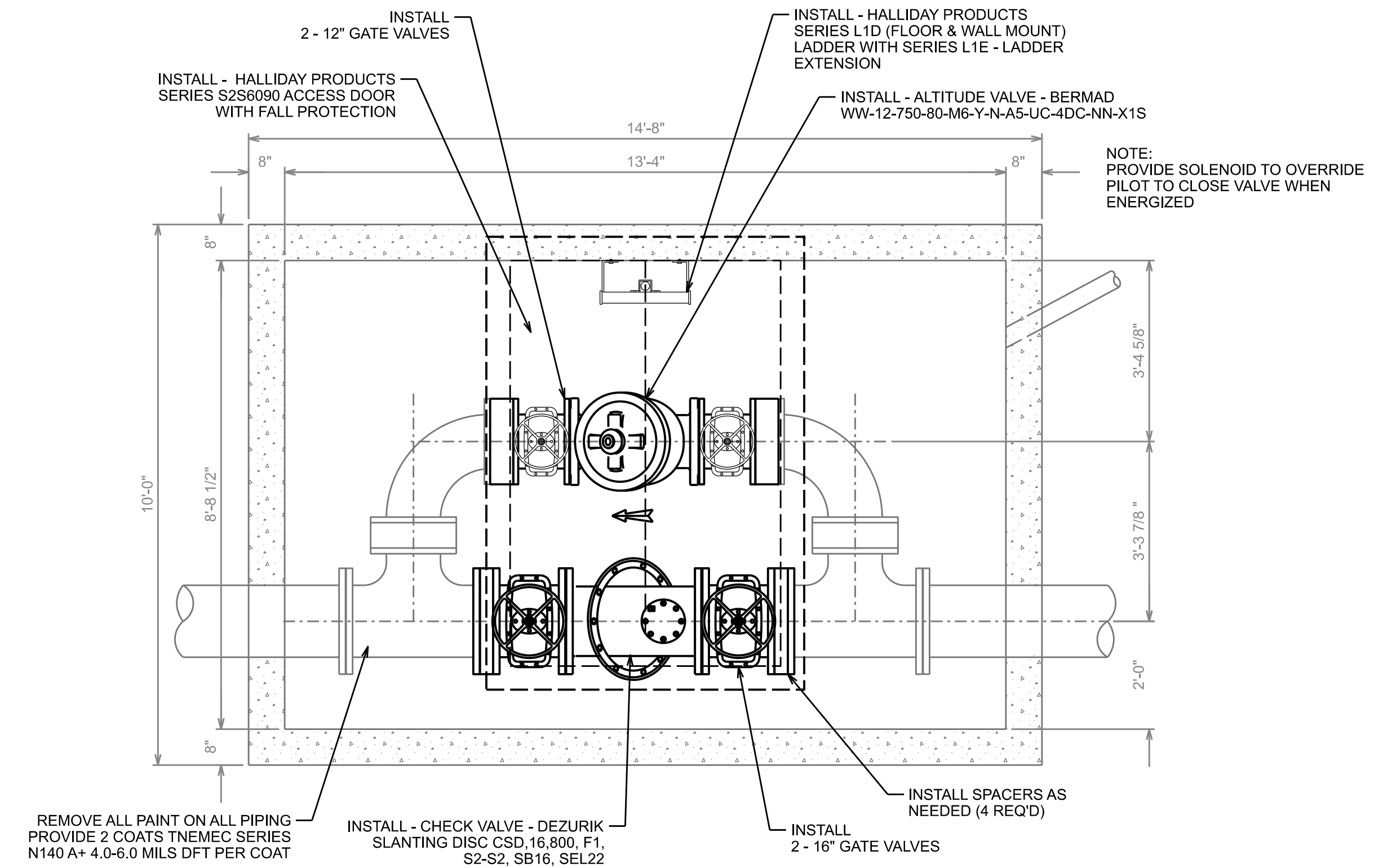


LOCATION MAP
N.T.S.

PROJECT
LOCATION

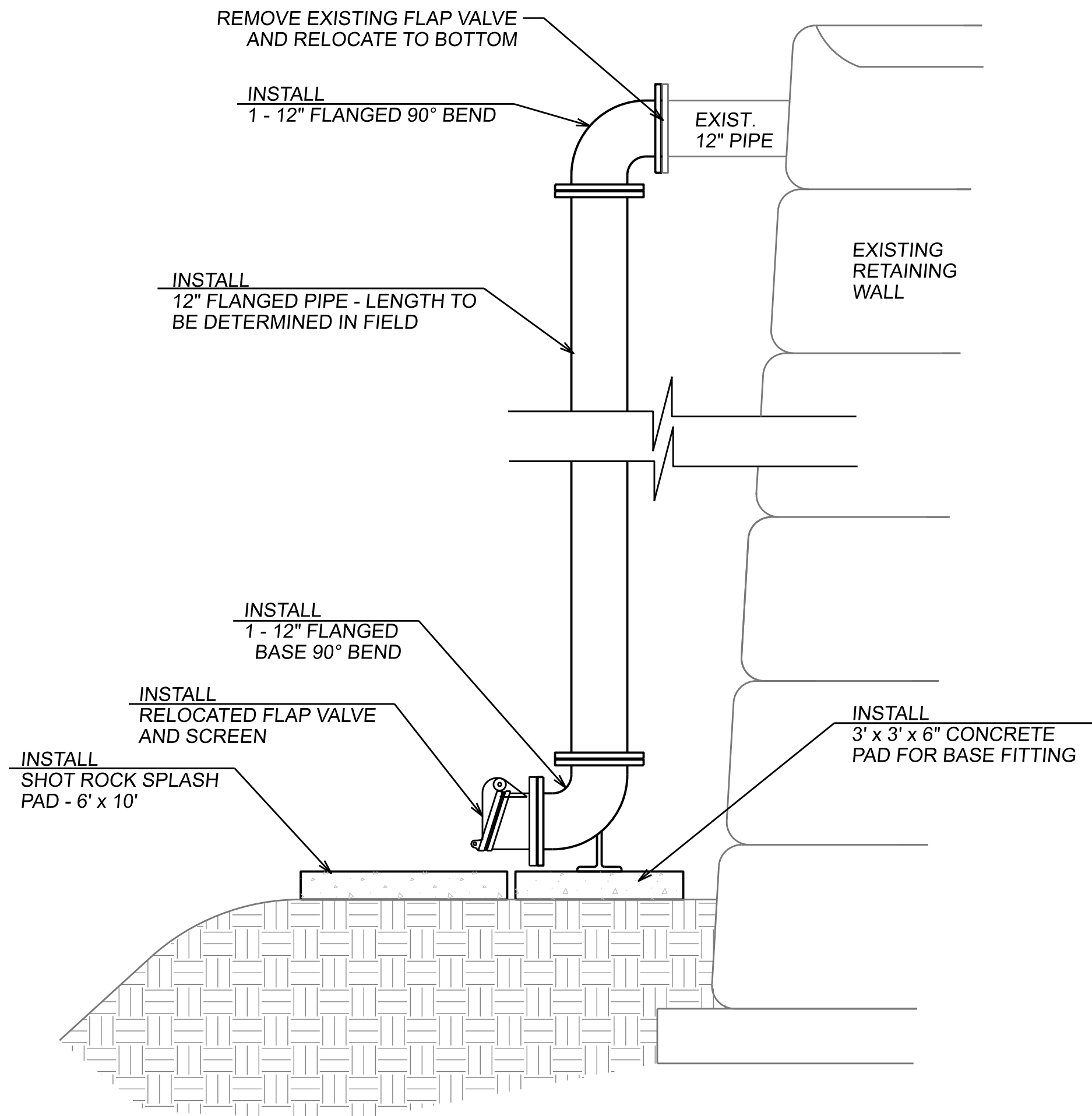


PLAN



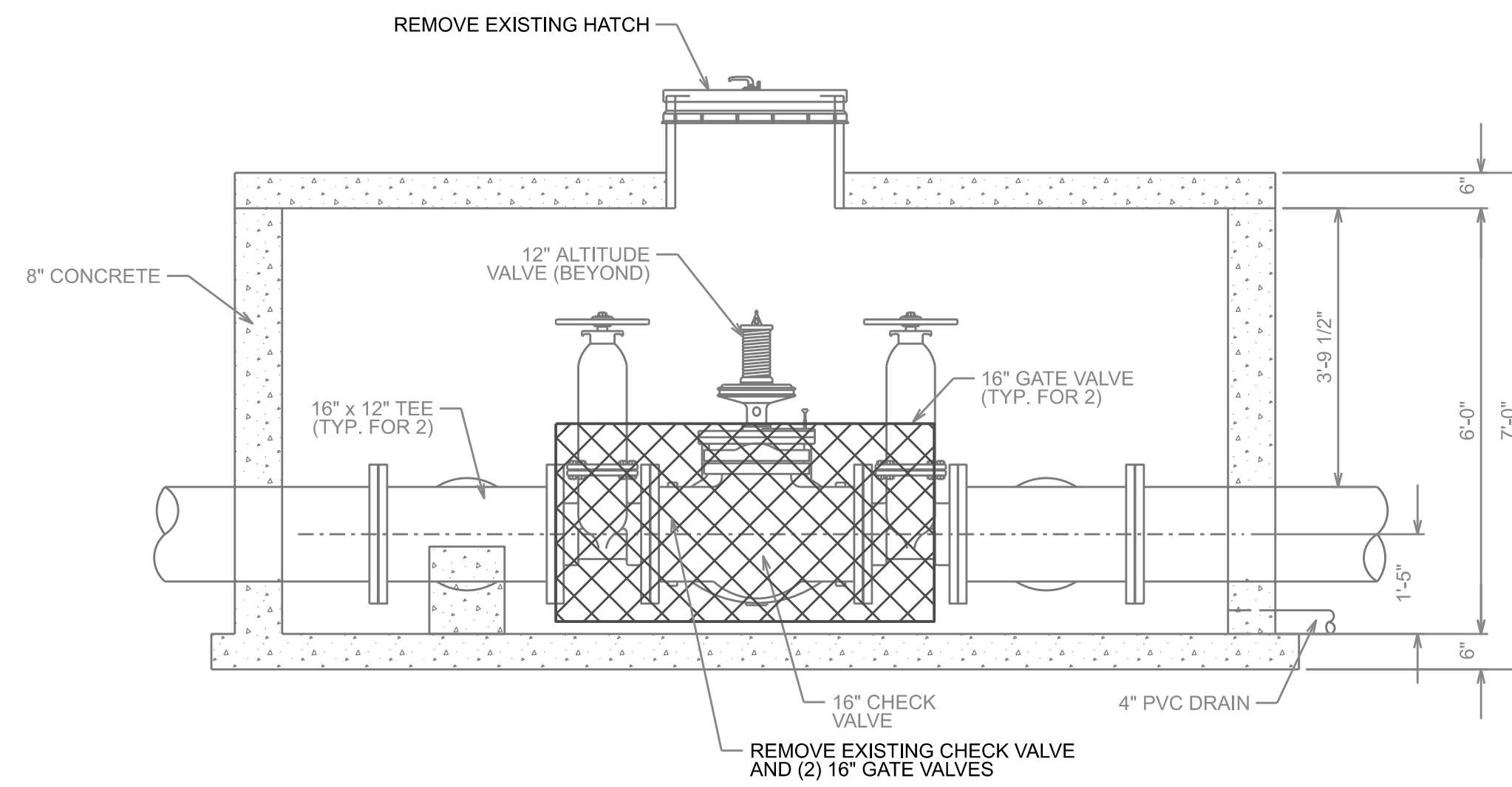
PLAN

NOTE:
PROVIDE SOLENOID TO OVERRIDE
PILOT TO CLOSE VALVE WHEN
ENERGIZED



BAKER ROAD
TANK OVERFLOW ADJUSTMENT
N.T.S.

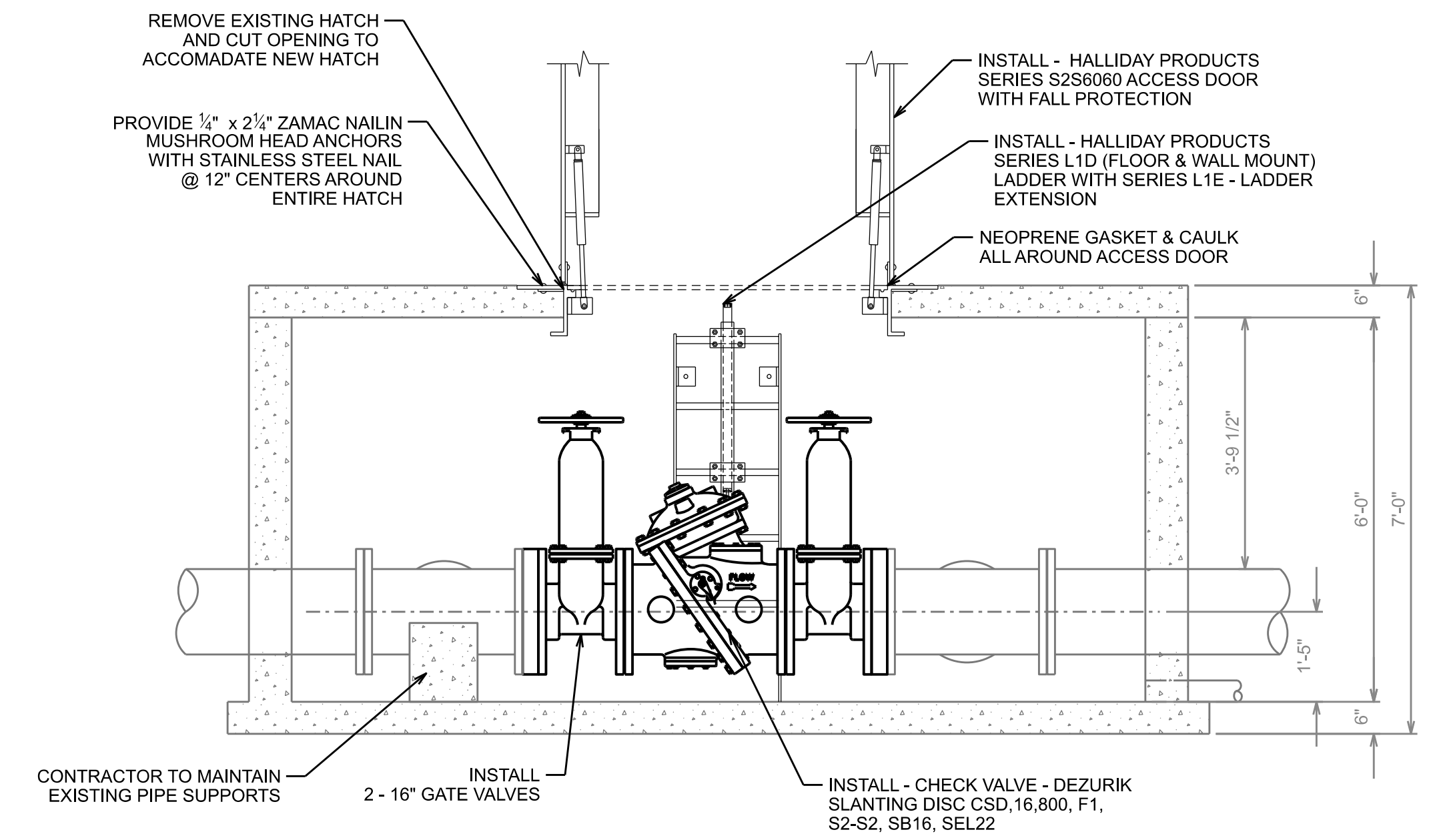
LUMP SUM BID ITEM NO. 31



SECTION

EXISTING

SCALE: 1/2" = 1'-0"



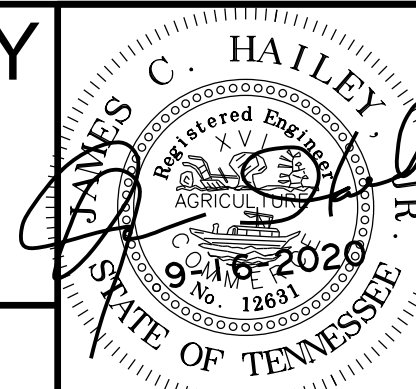
SECTION

PROPOSED

SCALE: 1/2" = 1'-0"

ALTITUDE VALVE ASSEMBLY MODIFICATIONS
LUMP SUM BID ITEM NO. 32

JAMES C. HAILEY & COMPANY
Consulting Engineers
Brentwood, Tennessee 37027
PH: 615-883-4933 FAX: 615-883-4937
http://www.jchengr.com



CONSOLIDATED UTILITY DISTRICT Rutherford County, Tennessee		
DESIGN JCH	DRAWN LLB	CHECKED JCH
DATE AUG. 2020	SCALE AS NOTED	PROJECT NO. 20171

BAKER ROAD TANK MODIFICATIONS		
DATE AUG. 2020	SCALE AS NOTED	PROJECT NO. 20171

SHEET
9